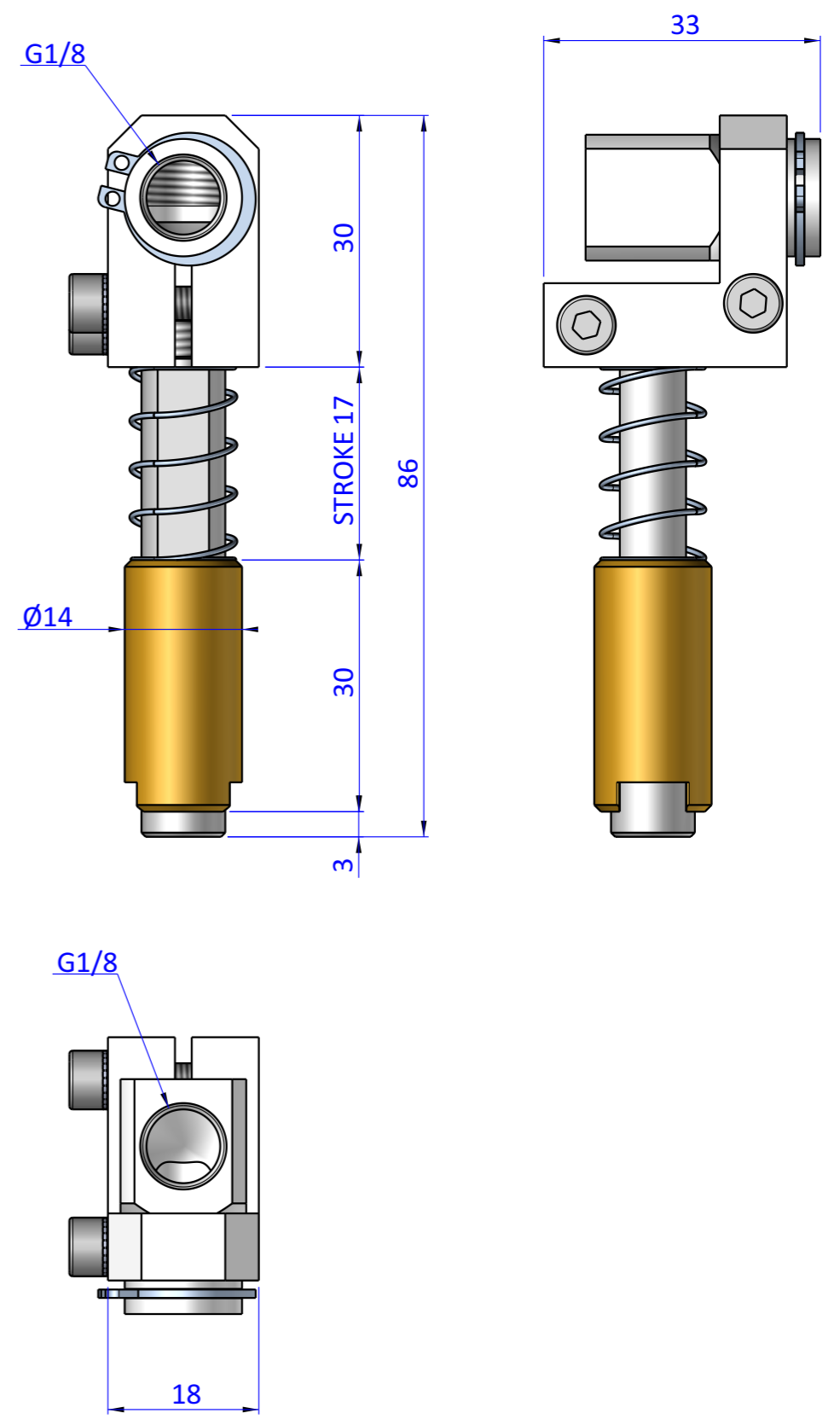
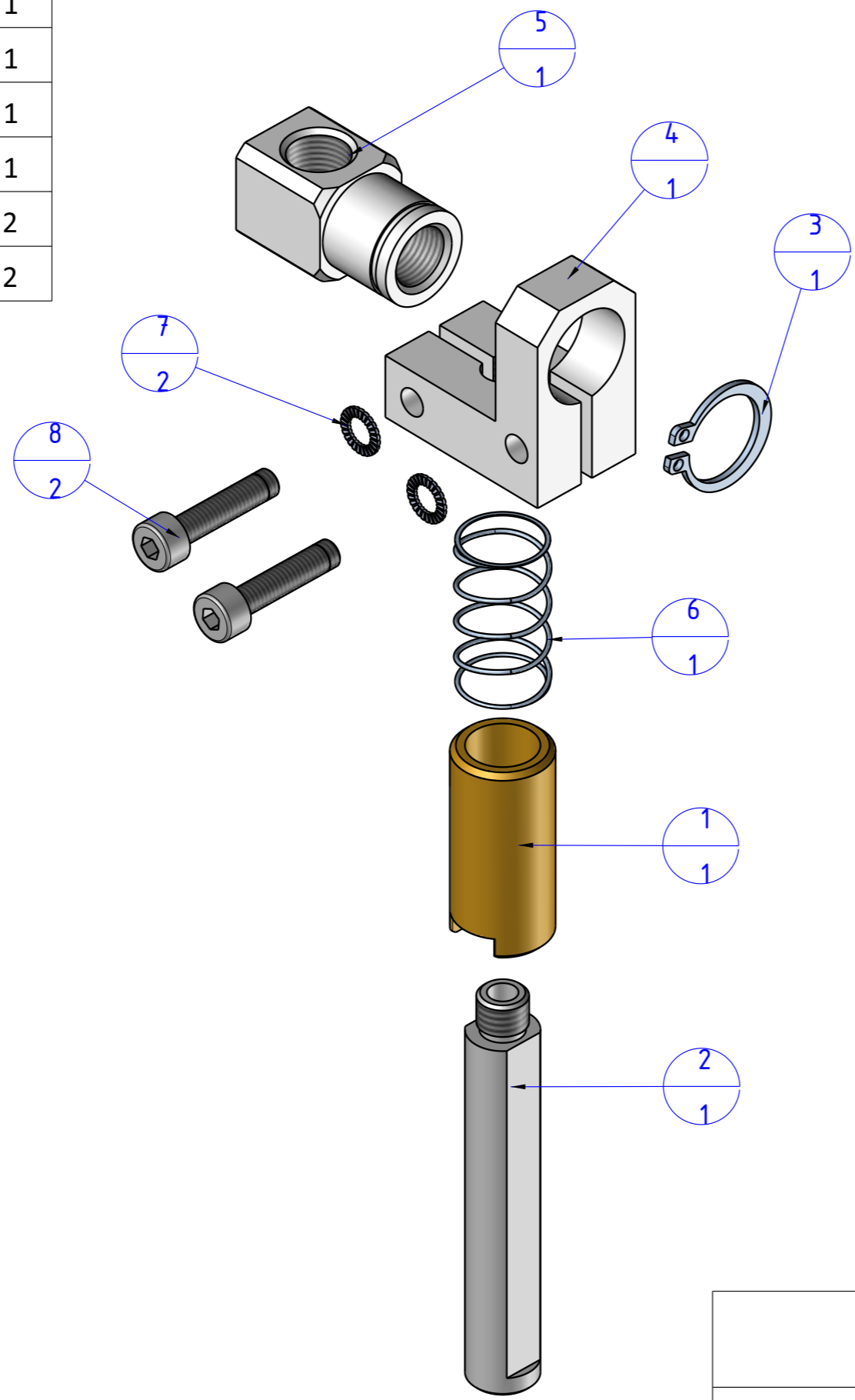



THE PROPERTY OF THE DRAWING IS ESTABLISHED BY LAW. IT IS FORBIDDEN TO PRODUCE OR SHOW IT TO THIRD PART. WITHOUT A WRITTEN AGREEMENT.

Item	Name	Q.ty
1	05.01.001.03.14	1
2	05.01.001.07	1
3	A.ELA14	1
4	GG.S.01.02	1
5	GG.S.02.02	1
6	M.12x25	1
7	R.4.SCH	2
8	V.TCE4x18	2



Format A3
UNI 936-76

 FPS FPSERVICES AUTOMATION		DESIGNED FROM		REVIEW
		FPS Automation		A
GENERAL TOLERANCE		DATE		WEIGHT
UNI - ISO 2768		09/09/2020		0,072kg
CLASSE f		CODE		
		CA.GGS141815		CA.GGS141815